

Figure 5.30: Series and parallel L-C tuning circuits.

5.13. An electric “bridged-T” filter is shown in Fig. 5.31. The output voltage is the voltage across R_2 . Draw a system linear graph and derive a set of state equations. Derive an output equation for the output voltage.

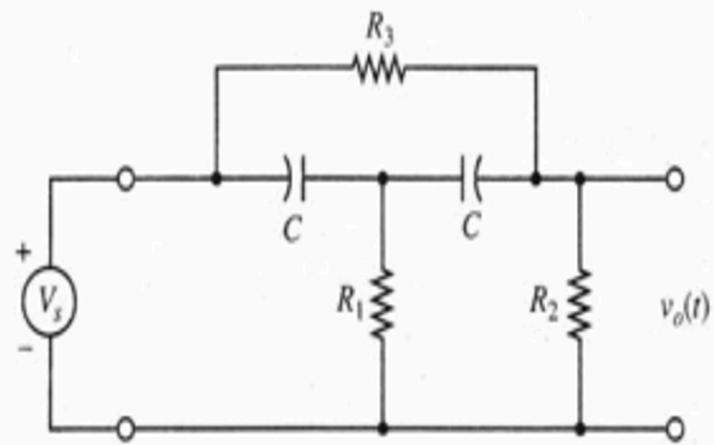


Figure 5.31: An electrical filter network.

5.14. An electric circuit containing three inductive devices is shown in Fig. 5.32.

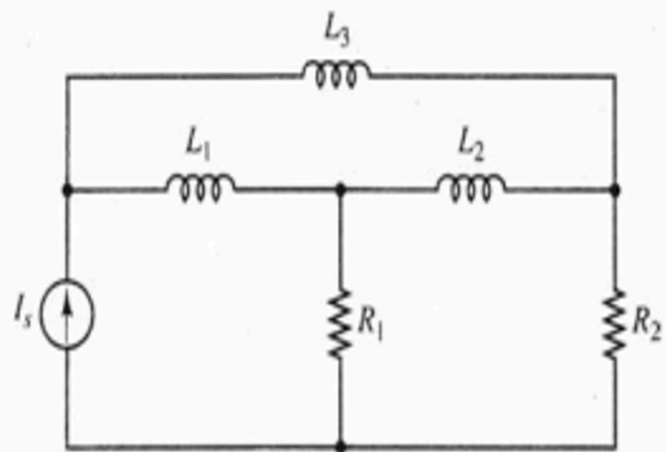


Figure 5.32: An inductive network.

